



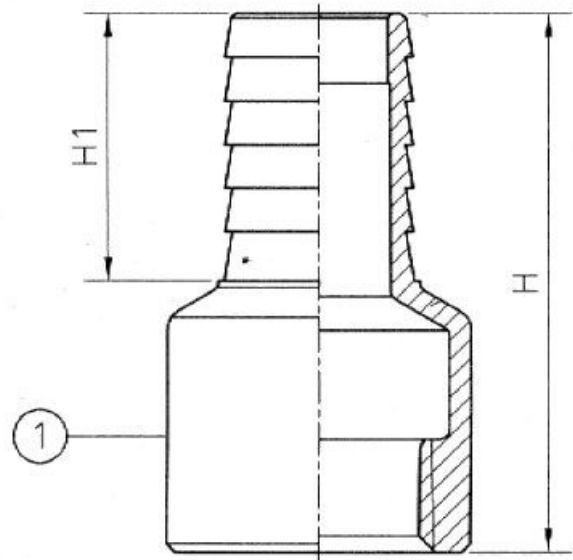
Lead Free Bronze FIP x Barb Insert Adapter (412 Series)

Pressure Rating

- 150 PSI

Dimensions (mm)

Nominal Size			Dimension	
FIP	Insert	Barb	H	H1
1/2"	1/2"	5	65	30.7
3/4"	3/4"	5	62	30.7
1"	1"	5	67.5	30.7
1-1/4"	1-1/4"	7	76	40.7
1-1/2"	1-1/2"	6	72.5	35.7
2"	2"	7	84	40.7



Models

- **412-050** 1/2" FIP x Barb
- **412-075** 3/4" FIP x Barb
- **412-100** 1" FIP x Barb
- **412-125** 1-1/4" FIP x Barb
- **412-150** 1-1/2" FIP x Barb
- **412-200** 2" FIP x Barb

Material Specification

No.	Parts	Materials	Water Contact
1	Body	Cast Brass C46400 MOD	Yes