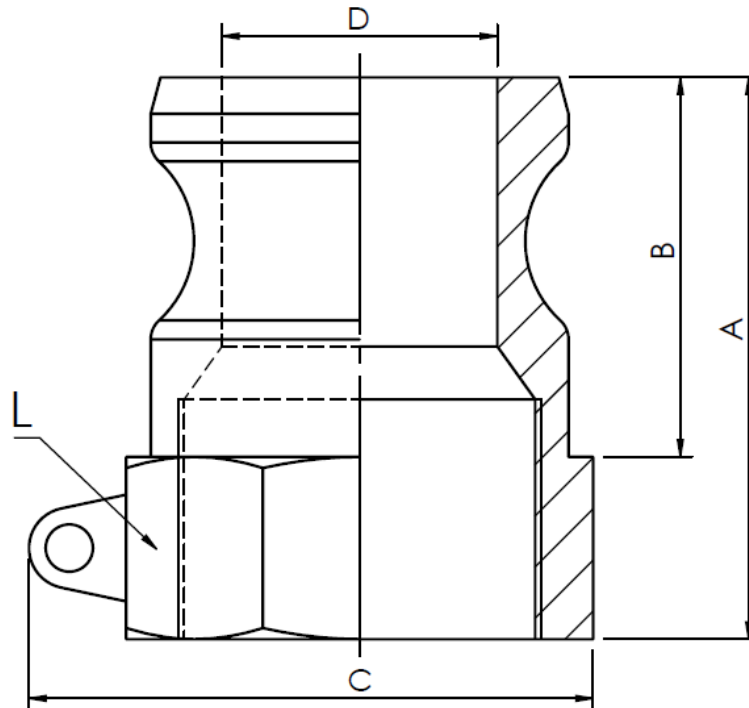


Polypropylene Camlock Fitting Male Coupler x Female NPT (A Style)



Dimensions (in)

Part Number	Size	A (mm)	B (mm)	C (mm)	D (mm)
CG-P50A	1/2"	47.50	36.50	41.50	21.50
CG-P075A	3/4"	47.50	36.50	42.0	21.50
CG-P100A	1"	56.0	44.50	49.50	23.20
CG-P125A	1-1/4"	64.0	50.0	67.0	29.0
CG-P150A	1-1/2"	68.0	55.0	69.0	36.70
CG-P200A	2"	76.50	62.0	87.50	44.50
CG-P300A	3"	83.0	66.50	120.50	73.0
CG-P400A	4"	91.0	54.0	145.0	90.0