

Bronze Angle Valve (AV-BZ)

Features

- Heavy duty bronze construction for superior corrosion resistance
- Standard one piece rising swivel with cross or wheel handle
- Allows manual control of water flow
- Removable internal assembly for convenient service and cleaning

Operating Range

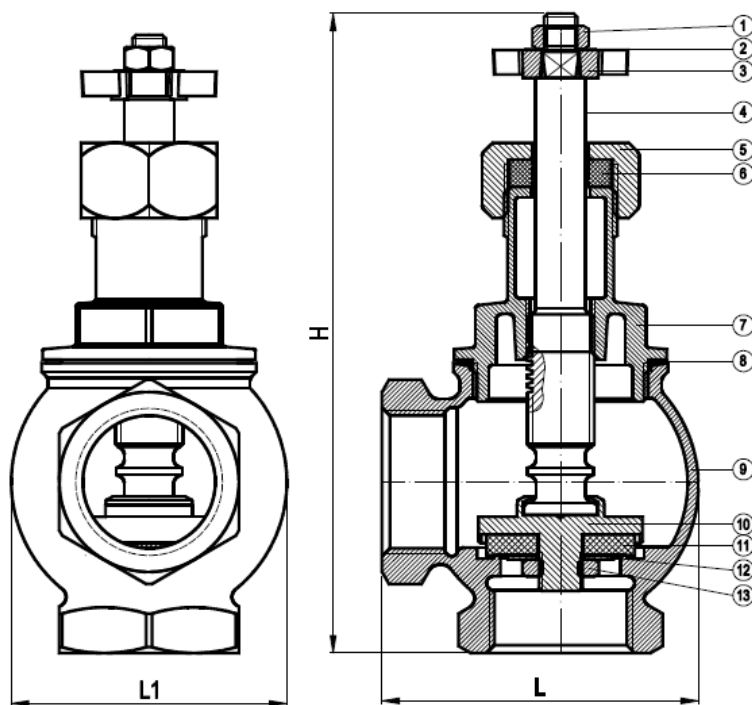
- Maximum water working pressure: 200 PSI
- Optimal flow: 0 - 500 GPM

Models

- AV-075BZ 3/4" bronze angle valve less union
- AV-100BZ 1" bronze angle valve less union



AV-BZ



DIMENSIONS

Item No.	Size	Dimension (mm)		
		L1	H	L
AV-075BZ	3/4"	34	122	42
AV-100BZ	1"	42	136	42

MATERIAL SPECIFICATION

No.	Parts	Materials
1	Wheel Nut	Hot Rolled Wired Rods
2	Name Plate	Aluminum A 1070
3	Cross Handle	Brass B584
4	Stem	Brass B584
5	Packing Nut	Bronze
6	Packing	SE-719F / SN-719F
7	Bonnet	Brass B584
8	Washer	Fibre "H"
9	Body	Bronze
10	Seat House	Brass B584
11	Seat Packing	SE-719F / SN-719F
12	Washer	Brass B124
13	Seat Nut	Brass B124