

Brass Angle Valve (AV)

Features

- Heavy duty brass construction
- Standard one piece rising swivel with cross or wheel handle
- Efficiently regulates water flow
- Available in low-lead version
- Removable internal assembly for convenient service & cleaning

Specifications

- Maximum water working pressure: 150 PSI
- Optimal flow: 0 - 190 GPM

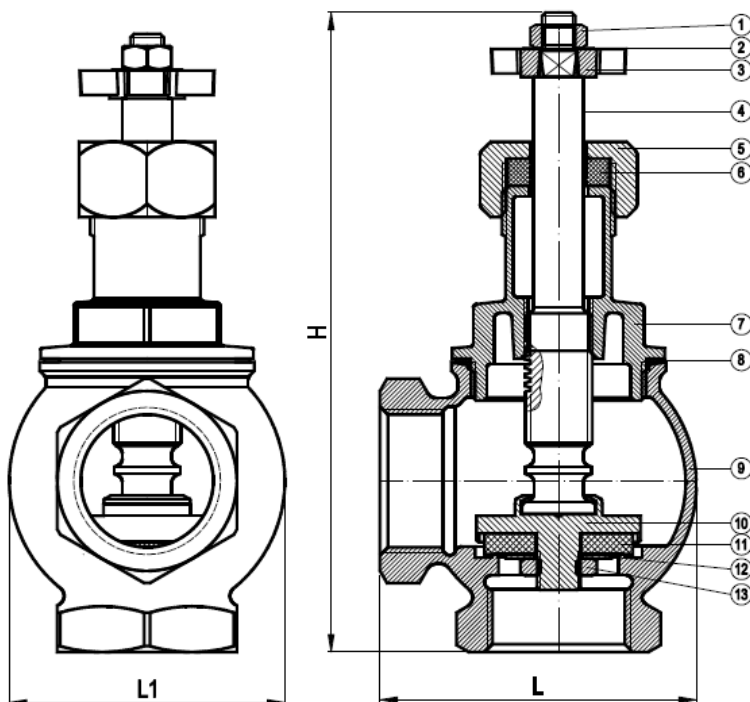
Models

- AV 3/4" - 2" angle valve less union
- AVU 3/4" - 2" angle valve with union
- AVW 3/4" - 2" angle valve less union with wheel handle
- AVUW 3/4" - 2" angle valve with union and wheel handle



AV

AVU



MATERIAL SPECIFICATION

No.	Parts	Materials
1	Wheel Nut	Hot Rolled Wired Rods
2	Name Plate	Aluminum A 1070
3	Cross Handle	Brass B584
4	Stem	Brass B584
5	Packing Nut	Brass B584
6	Packing	SE-719F / SN-719F
7	Bonnet	Brass B584
8	Washer	Fibre "H"
9	Body	Brass B584
10	Seat House	Brass B584
11	Seat Packing	SE-719F / SN-719F
12	Washer	Brass B124
13	Seat Nut	Brass B124