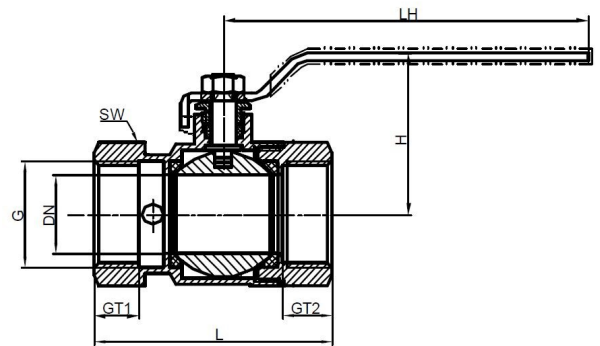
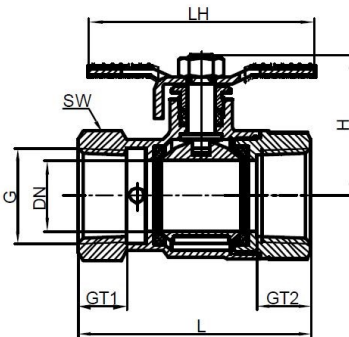


Material Specification

- Lead Free
- 150 WSP
- CSA & NSF Approved
- 600 WOG

Part Name	Material	Remarks
Nut	C37700	
Handle	Steel	Zinc-Plated
Gland Screw	C37700	Copper Alloy Rod
Stem Packing	Teflon-Ptfe	
Seal Ring	Teflon-Ptfe	
Stem	C46500	Copper Alloy Rod
Ball	C37700	Chrome-Plated
Seal	Teflon-Ptfe	
Bonnet	C46500	
Body	C465H0	



Butterfly Handle Models

- BBVB-075T
- BBVB-100T

Lever Handle Models

- BBVB-125T
- BBVB-150T
- BBVB-200T

Model Specifications

Model #	Valve Size (G)	Port Diam. (Ø)	Length (L)	Height (H)	Octagonal Subtense (SW)	Thread Length (GT1)	Thread Length (GT2)	Handle Length (LH)
BBVB-075T	3/4	19	69	39	32	14	16	78
BBVB-100T	1	24.50	85	49	39	17	19	78
BBVB-125T	1-1/4	31	93	63	48	17.50	19.50	142.30
BBVB-150T	1-1/2	38	101	77.50	55	17.50	19.50	163.80
BBVB-200T	2	49	114	86.50	70	18	20	163.80

*Metric (mm)