

# Brass Ball Valve (BBV-LF-SH)

## Features

- Lead Free, Stainless Steel Handle
- Heavy duty brass construction
- UL & CSA Rated
- TFE seat with chrome plated brass ball
- Available in sizes 3/4" - 2"
- Full Port
- Locking handle option available

## Specifications

- Maximum service temperature: 150° F
- Working pressure: 600 WOG 1/2" - 2"
- Working pressure: 400 WOG 2 1/2" - 4"

## Models

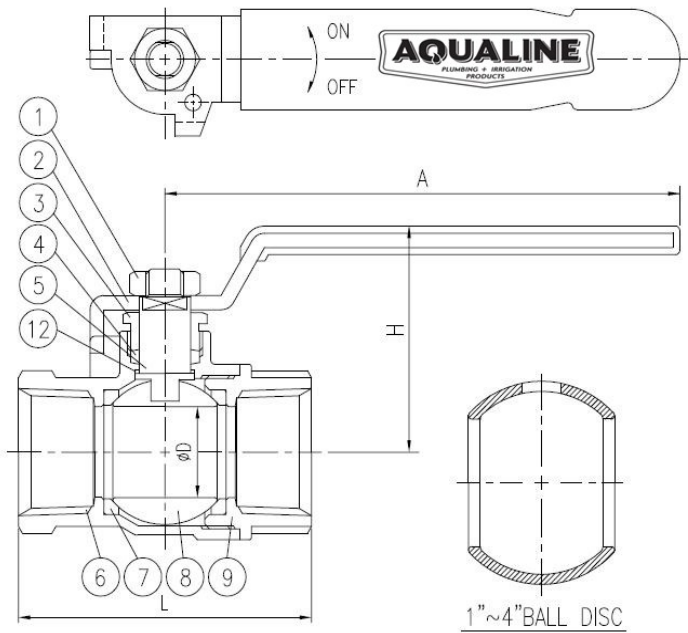
- BBV-075-LF-SH
- BBV-100-LF-SH
- BBV-200-LF-SH



**BBV-LF-SH**

## Dimensions (mm)

| Size | L   | H  | D  | A   |
|------|-----|----|----|-----|
| 3/4" | 63  | 47 | 19 | 110 |
| 1 "  | 76  | 52 | 25 | 110 |
| 2"   | 108 | 79 | 50 | 200 |



## Material Specification

| No. | Parts             | Materials       |
|-----|-------------------|-----------------|
| 1   | Nut               | AISI-1010       |
| 2   | Handle            | ASTM A283-D     |
| 3   | Stem Gland Screw  | ASTM B16-C36000 |
| 4   | Stem Packing      | Teflon PTFE     |
| 5   | Stem              | ASTM B16-C36000 |
| 6   | Body              | C46400          |
| 7   | Ball Disc Packing | Teflon PTFE     |
| 8   | Ball Disc         | C46400          |
| 9   | End Plug          | C46400          |
| 12  | Thrust Washer     | Teflon PTFE     |