

Brass Ball Valve (BBV-SH)

Features

- Stainless Steel Handle
- Heavy duty brass construction
- UL & CSA Rated
- TFE seat with chrome plated brass ball
- Available in sizes 3/4" - 2"
- Full Port
- Locking handle option available

Specifications

- Maximum service temperature: 150° F
- Working pressure: 600 WOG 1/2" - 2"
- Working pressure: 400 WOG 2 1/2" - 4"

Models

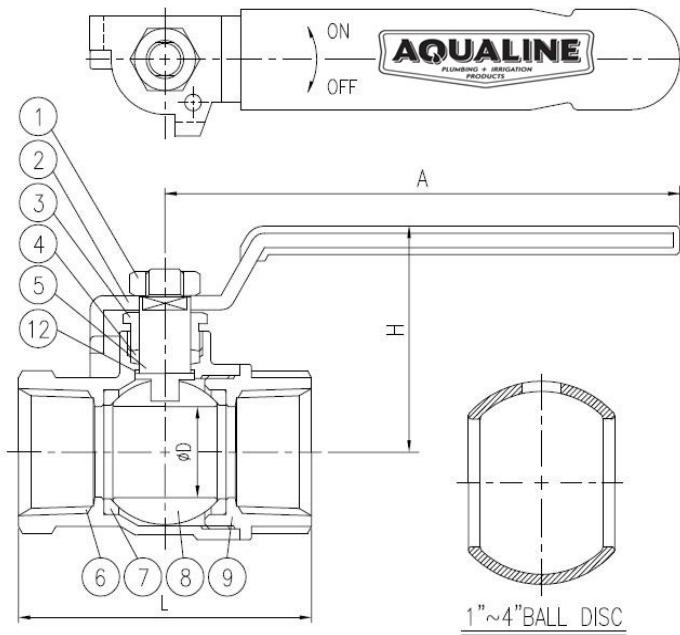
- BBV-075-SH
- BBV-100-SH
- BBV-200-SH



BBV-SH

Dimensions (mm)

Size	L	H	D	A
3/4"	63	47	19	110
1 "	76	52	25	110
2"	108	79	50	200



Material Specification

No.	Parts	Materials
1	Nut	AISI-1010
2	Handle	ASTM A283-D
3	Stem Gland Screw	ASTM B16-C36000
4	Stem Packing	Teflon PTFE
5	Stem	ASTM B16-C36000
6	Body	C46400
7	Ball Disc Packing	Teflon PTFE
8	Ball Disc	C46400
9	End Plug	C46400
12	Thrust Washer	Teflon PTFE