

Brass Boiler Drain (BD)

Features

- Durable brass construction
- Easy to use open/shut wheel handle
- Available in sizes: 1/2" & 3/4"
- NSF/ANSI 61 & C CSA US certified

Specifications

- Pressure Rating: 120 WOG, Non-shock
- Temperature Rating: 180° F

DIMENSIONS

Size	Dimension (mm)		
	D	H	L
1/2" MIP	54	55	29
3/4" MIP	54	55	29
1/2" FIP	54	55	29
3/4" FIP	54	55	29

MATERIAL SPECIFICATION

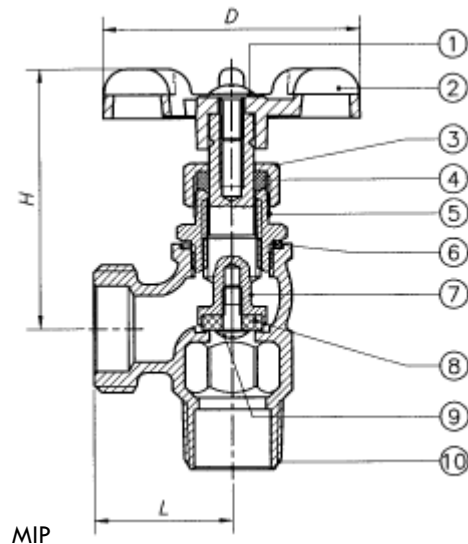
No.	Parts	Materials
1	Handle Bolt	Hot Rolled SAE 1010R
2	T-Handle	Zinc (Z30A)
3	Packing Nut	Brass C37700
4	Gland Packing	Teflon Polyflon PTFE M -392
5	Bonnet	Brass C37700
6	Packing	POM M90 Formocon FM090 CF500P
7	Stem	Brass C37700
8	Seat Packing	Rubber (NBR) SN-919F (2)
9	Seat Screw	Brass C26000
10	Body	Brass C85700



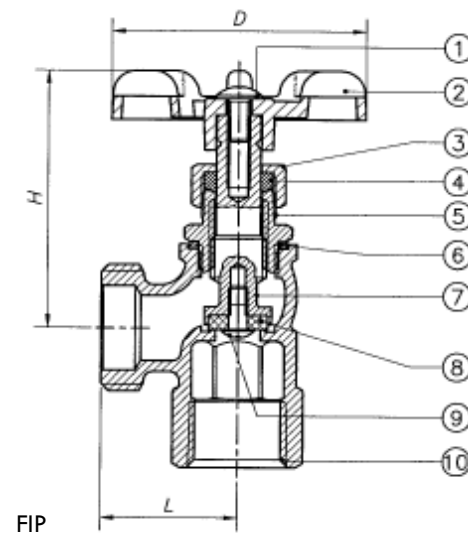
BD-M



BD-F



MIP



FIP