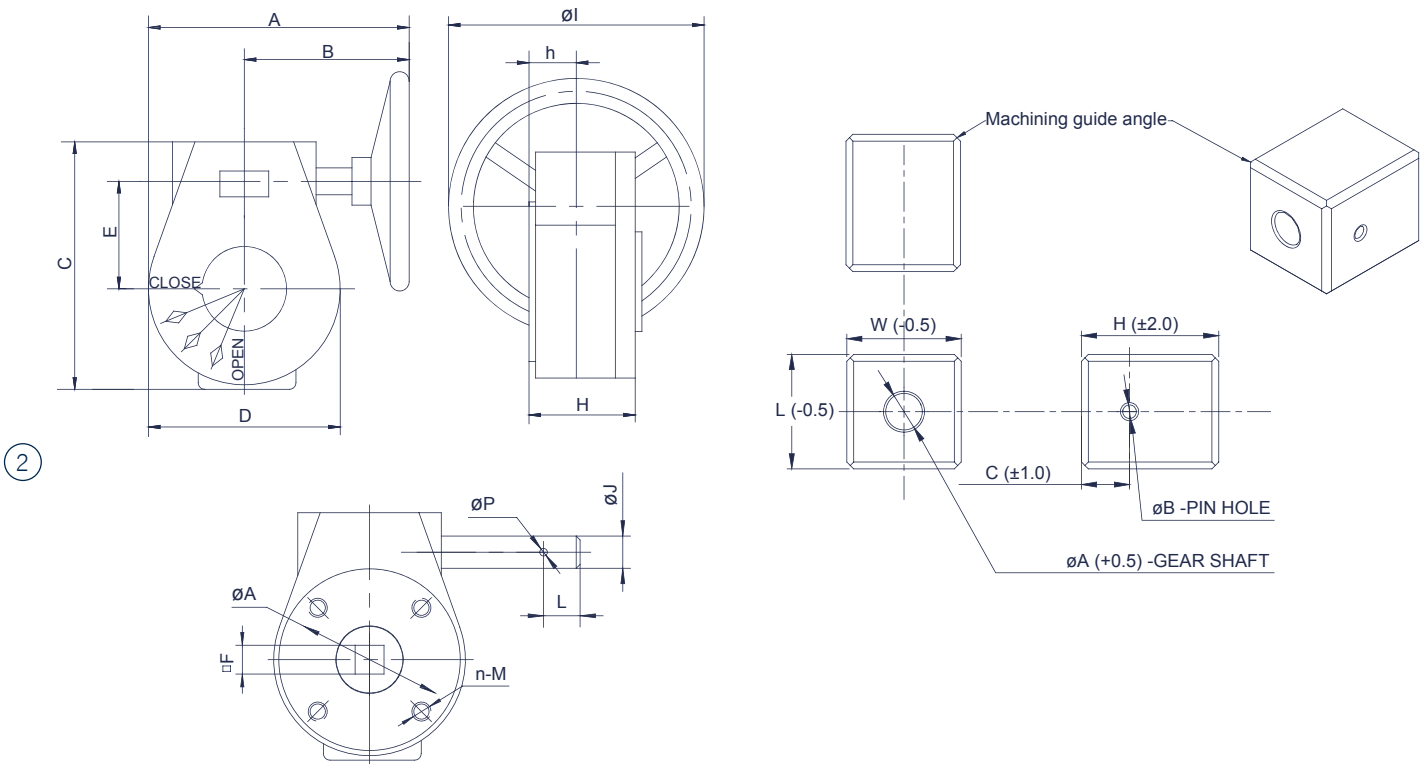


Concentric Butterfly Valve to ANSI/ASME Wafer Type

CLASS150, 2" ~ 24"

Accessories

- GEARBOX & SQUARE NUT



GEAR BOX
Dimensions (mm)

Gear Box Model	Butterfly Valve Size	ØA	n-M	Øf	A	B	C	D	E
GB23	2"~3"	50	4-M6	9	230	178	125	105	45
GB46	4"	70	4-M8	11	230	178	125	105	45
GB46	5"~6"	70	4-M8	14	230	178	125	105	45
GB810	8"	102	4-M10	17	310	235	174	158	63
GB810	10"	102	4-M10	22	310	235	174	158	63

SQUARE NUT
Dimensions (mm)

Square Nut Model	Butterfly Valve Size	ØA	ØB	C	L	W	H
SQNUT26	2"~3"	16	5	21	48	48	48
SQNUT26	4"	16	5	21	48	48	48
SQNUT26	5"~6"	16	5	21	48	48	48
SQNUT810	8"	19	6	21	48	48	48
SQNUT810	10"	19	6	21	48	48	48

Gear Box Model	Butterfly Valve Size	H	h	ØI	Torque (NM)	Ratio	ØJ	ØP	L
GB23	2"~3"	62	38	150	170	24:1	16	5	21
GB46	4"	62	38	150	170	24:1	16	5	21
GB46	5"~6"	62	38	150	170	24:1	16	5	21
GB810	8"	78	42	280	750	30:1	19	6	21
GB810	10"	78	42	280	750	30:1	19	6	21
GB1214	12"~14"	80	40	280	1200	50:1	19	6	20