

Concentric Butterfly Valve to ANSI/ASME Wafer Type **CLASS150, 2" ~ 24"**

Features

- Suitable for use in HVAC, irrigation, industrial applications where positive shutoff is required
- Single through-put shaft provides most economical pricing
- 10 position lever or gear operation
- Alloy material available on request

Standards

- End dimensions acc. to B16.5 (<28")
- Inspection & test acc. to API598

Limitation

- Do not use EPDM when hydrocarbons are present.

Options

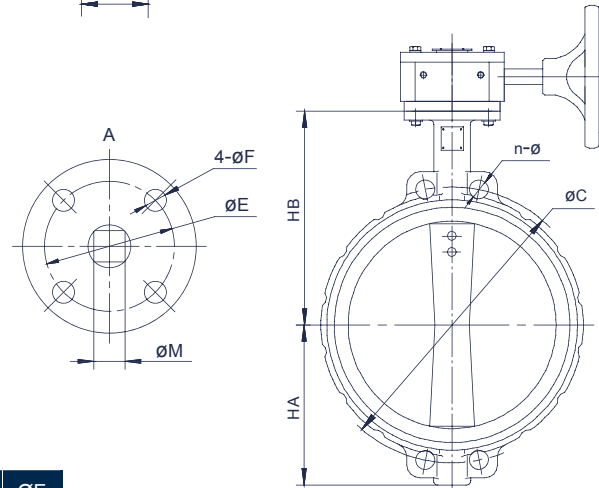
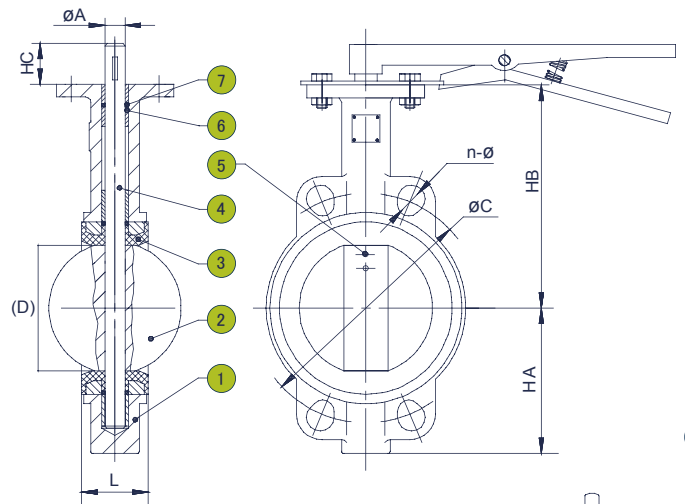
- Double "half pin" style available for increased performance and lifecycle

PMA: See Table A

TMA: See Table B

Selection:

Material of Body:
CF8M / DI



1

Materials List		
NO	PARTS NAME	MATERIAL
1	BODY	CF8M / DI
2	DISC	CF8M / DI
3	DISC SEAT	NBR / EPDM / VITON
4	STEM	SS410
5	TAPER PIN	SS
6	BUSHING	PTFE
7	O-RING	NBR

*Coated disc option available.

Dimensions (mm)

Size	HA	HB	HC	L	ØA	ØC	n-Ø	(D)	ØM	ØE	ØF
2"	66	130	30	45	12.7	120.5	4-19	51	9	50	7
2½"	75	140	30	48	12.7	139.5	4-19	62.8	9	50	7
3"	95	150	30	49	12.7	152.5	4-19	77.3	9	50	7
4"	107	170	30	55	15.8	190.5	8-19	102.5	11	70	9
5"	122	185	30	58	19.05	216	8-22	121.8	14	70	9
6"	134	205	30	59	19.05	241.5	8-22	154.2	14	70	9
8"	168	235	36	64	22.2	298.5	8-22	200.9	17	102	11
10"	200	270	36	70	28.6	362	12-25	248.9	22	102	11
12"	237	305	36	80	31.8	432	12-25	299.9	22	102	11
14"	262	330	36	80	31.8	476	12-29	331.7	22	102	11
16"	300	360	51	90	33.3	539.5	16-29	387.5	27	140	18
18"	350	395	51	109	38	578	16-32	438.4	27	140	18
20"	375	440	64	135	41.15	635	20-32	489.6	27	165	22
24"	435	500	71	156	50.65	749.5	20-35	590.1	36	165	22

Table A: Maximum Pressure Rating

SIZE	RUBBER SEAT
≤ 12"	13.7 bar (200psi)
14"~24"	10.3 bar (150 psi)
Gear Operation Recommended	≥ 12"

Table B: Temperature Rating

SEAT	APPLICABLE TEMPERATURE
NBR	-4°F to 176°F (-20°C to +80°C)
EPDM	-4°F to 248°F (-20°C to +120°C)
VITON	+14°F to 392°F (-10°C to +200°C)