

## Features

- Heavy duty brass construction
- Non-rising stem, solid wedge disc
- Threaded bonnet
- Integral seat
- Available in sizes: 1/2" - 4"
- Also available in lead-free

## Specifications

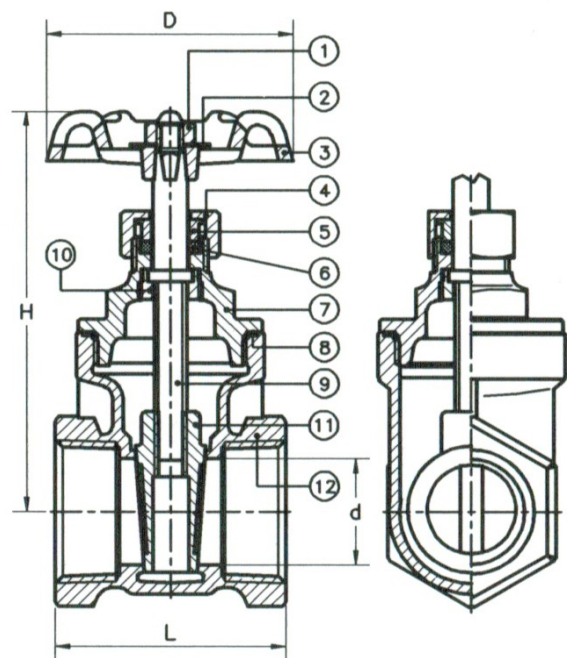
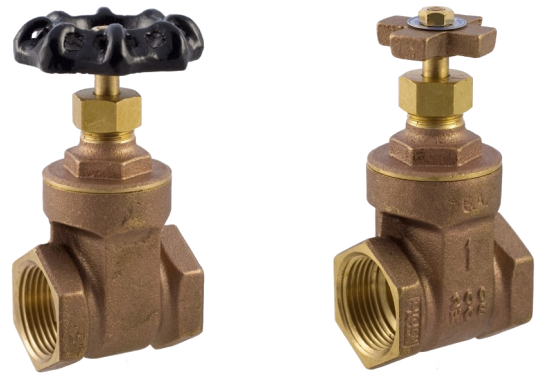
- Threaded MAX Water Working Pressure: 200PSI WOG
- Solder MAX Water Working Pressure: 300PSI WOG
- Temperature Rating: 180 Degrees Fahrenheit
- NSF-ANSI 61 Certified by IAPMO

## Models

- BGV 1/2"-4" brass gate valve, threaded ends
- BGV-S 1/2"-4" brass gate valve, solder ends
- BGVD 1/2"-1" brass gate valve with drain, threaded ends
- BGV-X 1/2"-4" brass gate valve with brass cross handle

## MATERIAL SPECIFICATION

No.	Parts	Materials
1	Wheel Nut	Hot Rolled SAE 1010R
2	Name Plate	Aluminum A1100
3	Hand Wheel	Cast Iron JIS ZZ2282
4	Packing Nut	Brass B16 C36000
5	Gland Ring	Brass B16 C36000
6	Gland Packing	Teflon Polyflon
7	Bonnet	Brass B584 C85710
8	Packing	Fibre "H"
9	Stem	Brass B16 C36000
10	Lock Nut	Brass B16 C36000
11	Disc	Brass B584 C85710
12	Body	Brass B584 C85710



## DIMENSIONS

Size	Dimension (mm)			
	L	H	D	d
1/2"	43.5	74	51	13.5
3/4"	46	84	56	19
1"	54	99	65	25
1 1/4"	57	117	70	32
1 1/2"	62	129	79	38
2"	68	152	94	49
2 1/2"	94	175	102	62
3"	102	216	127	75
4"	115	251	127	92