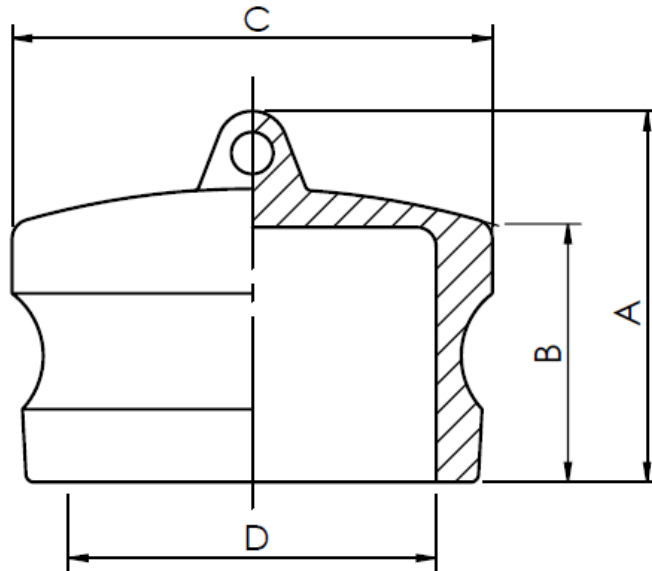


Polypropylene Camlock Dust Plug



Dimensions (in)

Part Number	Size	A (mm)	B (mm)	C (mm)	D (mm)
CG-P075DP	3/4"	39.0	28.80	32.0	21.50
CG-P100DP	1"	48.0	35.0	36.30	23.0
CG-P125DP	1-1/4"	57.50	40.0	45.40	28.50
CG-P150DP	1-1/2"	58.0	44.0	53.0	36.50
CG-P200DP	2"	66.0	49.0	62.50	44.30
CG-P300DP	3"	70.0	54.50	91.20	72.50
CG-P400DP	4"	73.0	54.50	118.0	93.0