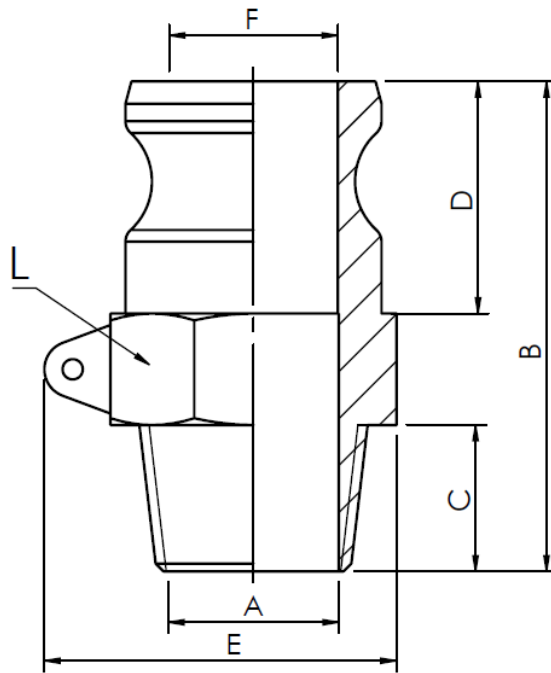


Polypropylene Camlock Fitting Male Coupler x Male NPT (F Style)



Dimensions (in)

Part Number	Size	A (mm)	B (mm)	C (mm)	D (mm)	E (mm)	F (mm)
CG-P50F	1/2"	14.50	57.0	38.0	27.50	42.50	21.50
CG-P075F	3/4"	19.0	58.0	38.0	27.50	42.50	21.50
CG-P100F	1"	23.0	61.0	46.0	33.50	50.50	23.0
CG-P125F	1-1/4"	28.0	80.50	56.0	39.0	60.0	287.0
CG-P150F	1-1/2"	36.50	77.60	55.0	43.30	69.0	36.50
CG-P200F	2"	46.0	90.0	62.0	47.0	81.50	47.0
CG-P300F	3"	72.50	96.50	67.0	52.0	114.0	72.50
CG-P400F	4"	92.0	108.50	72.0	53.50	144.0	90.0