

### Features

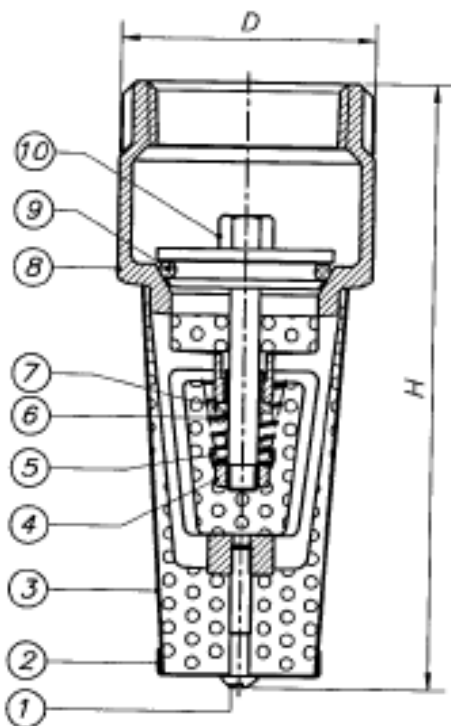
- Heavy duty brass construction
- Stainless steel filter
- Available in brass and bronze lead-free materials
- Available in sizes: 1/2" - 2"

### Specifications

- Temperature rating 180° F
- Pressure rating 200 PSI

### Models

- FV 1/2" - 2" brass foot valve
- FVZ 1/2" - 2" bronze (lead-free) foot valve



### MATERIAL SPECIFICATION

No.	Parts	Materials
1	Filter Bolt	Brass C26000
2	Filter Holder	Stainless Steel 304
3	Filter	Stainless Steel 304
4	Stem Nut	Stainless Steel 304
5	Spring Holder	Stainless Steel 304
6	Spring	Stainless Steel 304
7	Stem House	POM M90 Formocon FM090 CF500P
8	Body	Brass C85700 or Bronze C84400
9	O-Ring	Rubber (NBR) SN-919F (2)
10	Stem	Brass C85700 or Bronze C84400

### DIMENSIONS

Size	Dimension (mm)	
	H	D
1/2" FIP	88.9	32
3/4" FIP	87.7	38
1" FIP	118.4	45
1 1/4" FIP	129	54
1 1/2" FIP	153.8	60
2" FIP	189.2	77