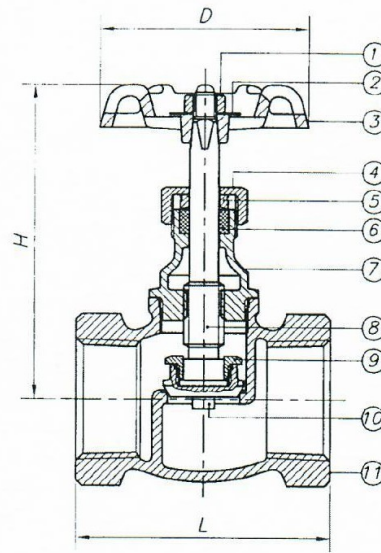




## Brass Globe Valve (GLB)

NOMENCLATURE AND MATERIALS				
NO	PARTS	PART NO	MATERIALS	WATER CONTACT
1	WHEEL NUT	MURHDL - B	HOT ROLLED SAE 1010R	N
2	NAME PLATE	PLATMRK - AL	ALUMINIUM A1100	N
3	HANDWHEEL	HDLW - B	CAST IRON JIS Z22202	N
4	PACKING NUT	MURPACK - K	BRASS ROD C37700	N
5	GLAND RING	GLANDR - K ; GB 1 1/4" ~ 2"	BRASS ROD C37700	N
6	GLAND PACKING	GLANDP - GR	GRAPHITE LK 33 NAFG	Y
7	BONNET	TPI - K	CAST BRASS C85700	Y
8	STEM	STNG - K ; GB 1/4" ~ 1"	BRASS ROD C37700	Y
		STNG - K ; GB 1 1/4" ~ 2"	CAST BRASS C85700	
9	LOCKNUT	MURLCK - K, GB 1 1/4" ~ 2"	BRASS ROD C37700	Y
10	DISC	KLP - K ; GB 1/4" ~ 1"	BRASS ROD C37700	Y
		KLP - K ; GB 1 1/4" ~ 2"	CAST BRASS C85700	
11	BODY	BDY - K	CAST BRASS C85700	Y



### Features

- NSF Certified
- 200 WOG PSI
- Temperature rating 180 degree F
- Available in 1/2" - 2"

Item No	Size (FIP)	Dimensions (mm)		
		D	H	L
GLB-050	1/2"	53	68	48
GLB-075	3/4"	54	71	56
GLB-100	1"	63	86	65
GLB-125	1-1/4"	69	110	74
GLB-150	1-1/2"	80	130	84
GLB-200	2"	89.5	153	99.5