

# Brass Garden Valve With Floating Stem (GVF)

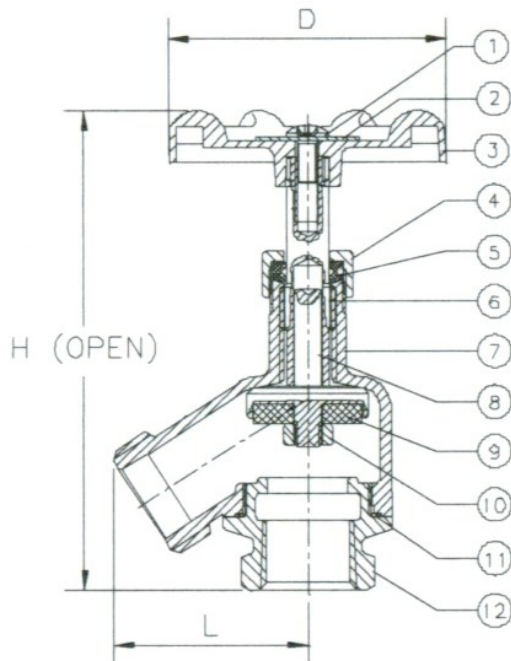
## FEATURES

- Heavy duty brass construction
- 3/4" male hose connection
- Contains floating stem for backflow prevention
- Available with loose key handle or wheel handle
- Available in inverted or standard configuration



## DIMENSIONS

Item No.	Size	Dimension (mm)		
		L	H	D
<b>GVF-050</b>	1/2"	44.5	112	62.5
<b>GVF-075</b>	3/4"	44.5	112	62.5
<b>GVF-100</b>	1"	44.5	116	62.5



## MATERIAL SPECIFICATION

No.	Parts	Materials
<b>1</b>	Handle Bolt	Hot Rolled (SAE 1010R)
<b>2</b>	Name Plate	Aluminum (A1100)
<b>3</b>	Ellipse Handle	Zinc (Z30A)
<b>4</b>	Packing Nut	Brass (ASTM-UNS B16 C36000)
<b>5</b>	Packing	Rubber (NBR) FN80 (4)
<b>6</b>	Stem	Brass (ASTM-UNS B584 C85710)
<b>7</b>	Body	Brass (ASTM-UNS B584 C85710)
<b>8</b>	Seat Holder	Brass (ASTM-UNS B584 C85710)
<b>9</b>	Seat Packing	Rubber (NBR) FN80 (4)
<b>10</b>	Nut	Brass (ASTM-UNS B124 C37700)
<b>11</b>	Packing	Fibre "H"
<b>12</b>	Bonnet	Brass (ASTM-UNS B584 C85710)