

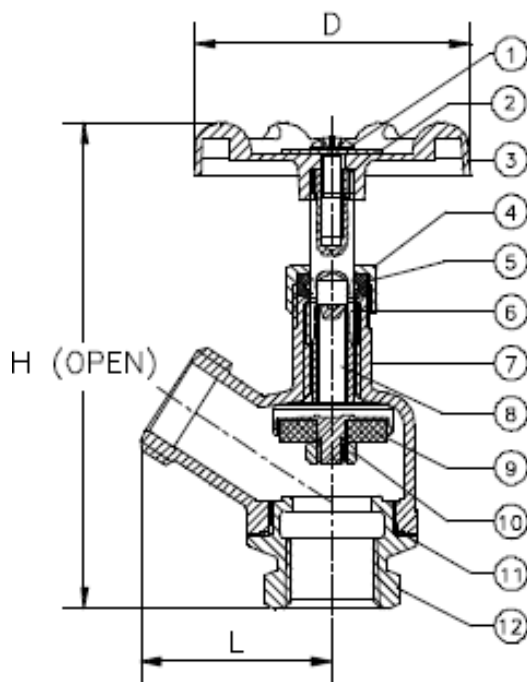
Brass Inverted Garden Valve with Floating Stem (GVF-IN)

FEATURES

- Heavy duty brass construction
- 3/4" male hose connection
- Contains floating stem for backflow prevention
- Available in inverted or standard configuration

DIMENSIONS

Item No.	Size	Dimension (mm)		
		L	H	D
GVF-050IN	1/2"	44.5	112	62.5
GVF-075IN	3/4"	44.5	112	62.5
GVF-100IN	1"	44.5	116	62.5



MATERIAL SPECIFICATION

No.	Parts	Materials
1	Handle Bolt	Hot Rolled (SAE 1010R)
2	Name Plate	Aluminum (A1100)
3	Elips Handle T-Handle	Zinc (Z30A)
4	Packing Nut	Brass (ASTM-UNS B16 C36000)
5	Packing	Rubber (NBR) FN80 (4)
6	Stem	Brass (ASTM-UNS B584 C85710)
7	Body	Brass (ASTM-UNS B584 C85710)
8	Seat Holder	Brass (ASTM-UNS B584 C85710)
9	Seat Packing	Rubber NBR FN80 (4)
10	Nut	Brass (ASTM-UNS B124 C37700)
11	Packing	Fibre "H"
12	Bonnet	Brass (ASTM-UNS B584 C85710)