

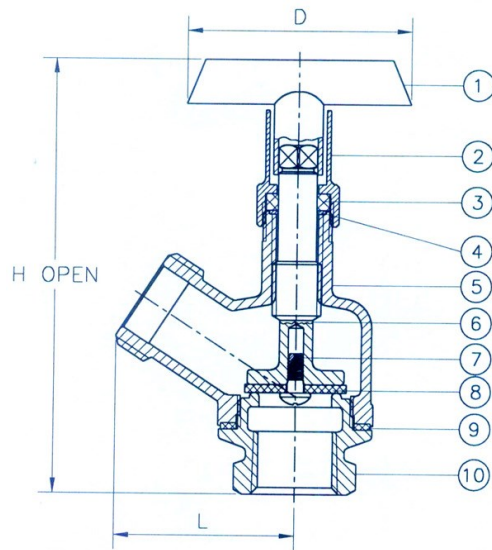
Brass Inverted Garden Valve (GV-INL)

FEATURES

- Heavy duty brass construction
- Full flow inlet and outlet
- 3/4" male hose connection
- Available in standard configuration

DIMENSIONS

Item No.	Size	Dimension (mm)		
		L	H	D
GV-050INL	1/2"	44.5	115	55
GV-075INL	3/4"	44.5	115	55
GV-100INL	1"	44.5	121	55



MATERIAL SPECIFICATION

No.	Parts	Materials
1	Elipse Handle T-Handle	Zinc (Z30A)
2	Packing Nut	Brass (ASTM-UNS B16 C36000)
3	Packing	Graphite (LK 33 NAFG)
4	Washer	Stainless Steel (304)
5	Body	Brass (ASTM-UNS B584 C85710)
6	Stem	Brass (ASTM-UNS B584 C85710)
7	Seat Packing	Rubber NBR FN80 (4)
8	Seat Screw	Stainless Steel (304), Brass (ASTM-UNS B124 C37700)
9	Packing	Fibre "H"
10	Bonnet	Brass (ASTM-UNS B584 C85710)