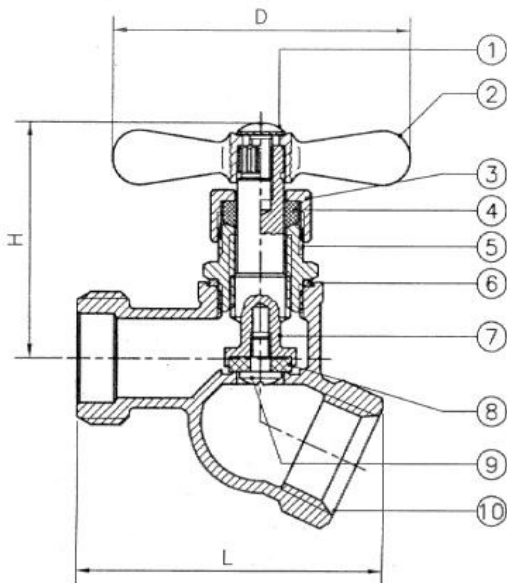


Female Hose Bibb No-Kink, Heavy Duty (HBH-F)

FEATURES

- Heavy duty brass construction
- Green zinc t-handle
- Full flow inlet and outlet
- No-kink configuration
- Available in 1/2" and 3/4" sizes
- Temperature Rating: 180°F
- Pressure Rating: 125 WOG - Not Shock



MATERIAL SPECIFICATION

No.	Parts	Materials	Water Contact
1	Bolt	Hot Rolled SAE 1010R	N
2	Handle	Zinc (Z30A)	N
3	Packing Nut	Brass Rod C37700	N
4	Packing	Teflon Polyflon PTFE M-392	Y
5	Bonnet	Brass Rod C46400	Y
6	Packing	POM M90 Formocon FM090 CF500P	Y
7	Stem	Brass Rod C46400	Y
8	Seat Packing	Rubber (NBR) SN-819F	Y
9	Screw	Forged Brass	Y
10	Body	Cast Brass C46400 MOD	Y

Item No.	Nominal Size	Dimension (mm)		
		D	H	L
HBH-050F-LF	1/2" FIP x 3/4" MHT	54	50	62
HBH-075F-LF	3/4" FIP x 3/4" MHT	54	50	63.50

*Unit of Measure: MM