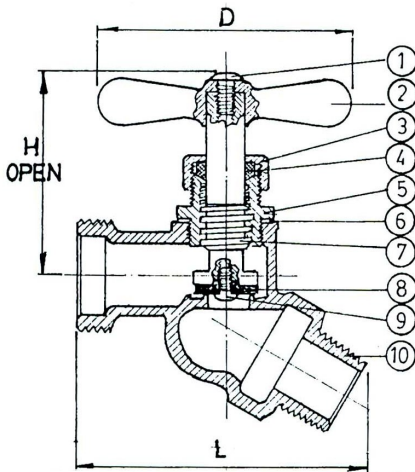




# Male Hose Bibb No-Kink, Heavy Duty (HBH-M)

## FEATURES

- Heavy duty brass construction
- Green zinc t-handle
- Full flow inlet and outlet
- No-kink configuration
- NSF-61 compliant
- Available in 1/2" and 3/4" sizes
- Available lead-free



## MATERIAL SPECIFICATION

No.	Parts	Materials
1	Handle Bolt	Stainless Steel (304), Hot Rolled (SAE 1010R)
2	T Handle	Zinc (Z30A)
3	Packing Nut	Brass (ASTM-UNS B16 C36000)
4	Gland Packing	Teflon Polyflon (PTFE M-392), Graphite (LK 33 NAFG), Rubber (NBR) FN80 (4)
5	Bonnet	Brass (ASTM-UNS B16 C36000)
6	Packing Washer	POM M90 Fomocon FM090 CF500P
7	Stem	Brass (ASTM-UNS B16 C36000)
8	Seat Packing	Rubber (NBR) FN80 (4)
9	Seat Screw	Stainless Steel (304), Brass (ASTM-UNS B124 C37700)
10	Body	Brass (ASTM-UNS B584 C85710), Bronze (ASTM-UNS B584 C84400)

Item No.	Size	Dimension (mm)		
		L	H	D
HBH-050M	1/2"	73	57	60
HBH-075M	3/4"	75.5	57	60