



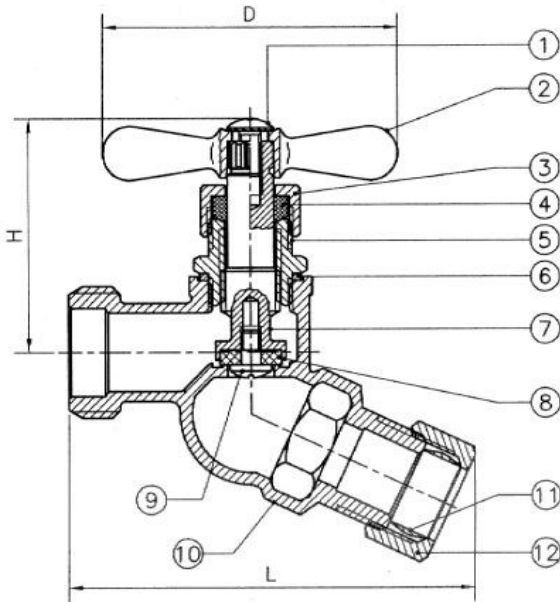
1/2" ID (5/8" OD) Comp. x 3/4" Hose Bibb Heavy Duty (HBH-058S)

FEATURES

- Heavy duty brass construction
- Green zinc T-Handle
- Full flow inlet and outlet
- No-kink configuration
- Temperature Rating: 180°F
- Pressure Rating: 125 WOG - Not Shock



MATERIAL SPECIFICATION



No.	Parts	Materials	Water Contact
1	Bolt	Hot Rolled SAE 1010R	N
2	Handle	Zinc (Z30A)	N
3	Packing Nut	Brass Rod C37700	N
4	Packing	Teflon Polyflon PTFE M-392	Y
5	Bonnet	Brass Rod C37700	Y
6	Packing	POM M90 Formocon FM090 CF500P	Y
7	Stem	Brass Rod C37700	Y
8	Seat Packing	Rubber (NBR) SN-819F	Y
9	Screw	Forged Brass (C26000)	Y
10	Body	Cast Brass C85700	Y
11	Sleeve	Brass Rod C37700	Y
12	Packing Nut	Brass Rod C37700	N

Item No.	Nominal Size	D	H	L
HBH-058S	5/8" OD COMP. x 3/4" MHT	54	50	83

*Unit of Measure: MM