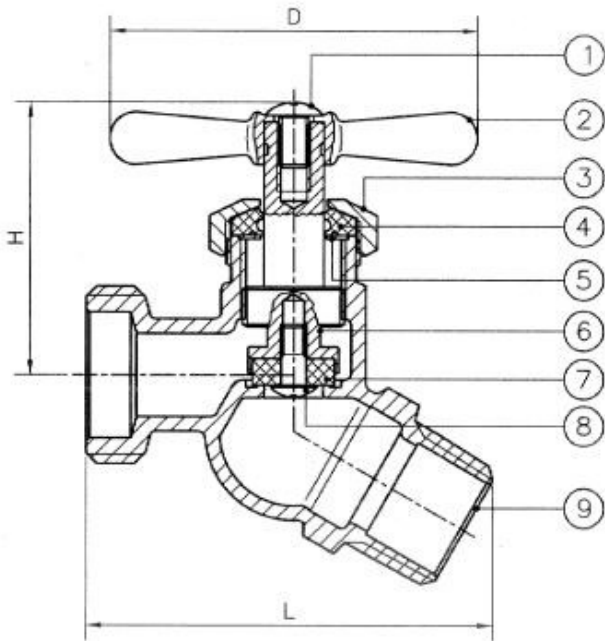


FEATURES

- Durable brass construction
- Full flow inlet and outlet
- No-kink configuration
- Available in 1/2" and 3/4" sizes
- Temperature Rating 180°F
- Pressure Rating 125 PSI WWP - Non Shock



MATERIAL SPECIFICATION

No.	Parts	Materials
1	Bolt	Hot Rolled (SAE 1010R)
2	Handle	Zinc (Z30A)
3	Bonnet	Brass Rod (C37700)
4	Packing	Rubber (NBR) SN-719F
5	Washer	Stainless Steel (304)
6	Stem	Brass Rod (C46400)
7	Seat Packing	Rubber (NBR) SN-819F
8	Screw	Forged Brass (C26000)
9	Body	Cast Brass (C46400 MOD)

Item No.	Nominal Size	D	H	L
HB-050M-LF	1/2" MIP x 3/4" MHT	56	41.50	62
HB-075M-LF	3/4" MIP x 3/4" MHT	56	41.50	64