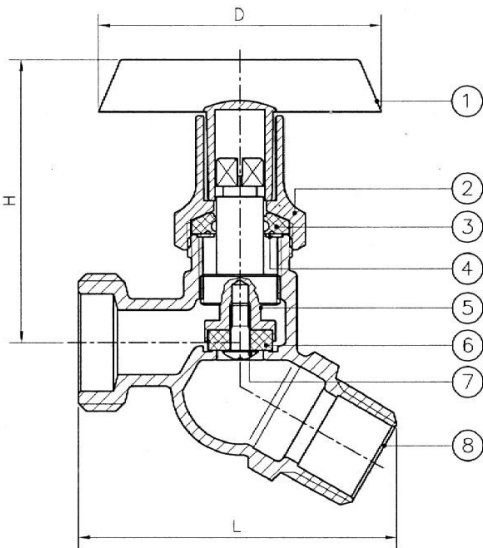




# Brass Male Hose Bibb No-Kink, Loose Key (HB-ML)

## FEATURES

- Durable brass construction
- Full flow inlet and outlet
- No-kink configuration
- Available in 1/2" and 3/4" sizes
- Temperature Rating: 180° F
- Pressure Rating: 125PSI WWP; Non-Shock



## MATERIAL SPECIFICATION

No.	Parts	Materials	Water Contact
1	Handle	Zinc (Z30A)	No
2	Bonnet	Brass Rod - C37700	No
3	Packing	Rubber (NBR) SN-719F	Yes
4	Washer	Stainless Steel (304)	Yes
5	Stem	Brass Rod - C37700	Yes
6	Seat Packing	Rubber (NBR) SN-819F	Yes
7	Screw	Forged Brass - C26000	Yes
8	Body	Cast Brass - C85700	Yes

Item No.	Size	Dimension (mm)		
		L	H	D
HB-050ML	1/2" MIP x 3/4" MHT	62	55	55
HB-075ML	3/4" MIP x 3/4" MHT	64	55	55