

Log Lighters (LLSV & LLAV)

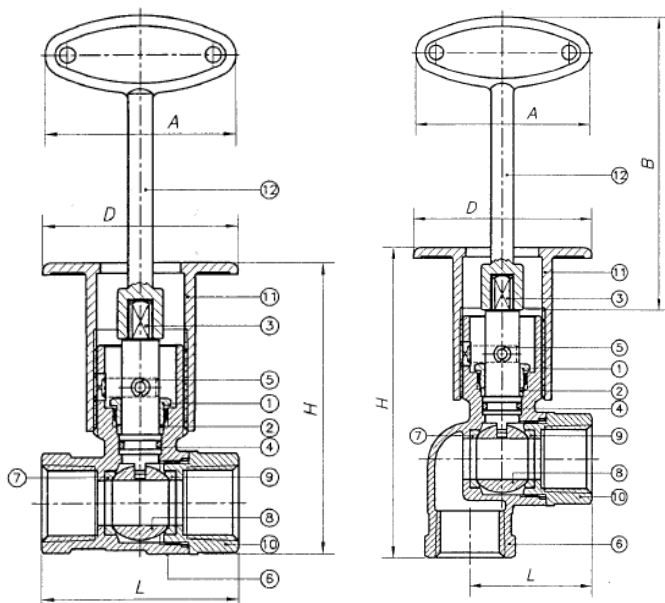
- For natural, manufactured and mixed gas, liquefied petroleum (LP) gases and LP gas air mixtures
- Pressure Max. 1/2 PSIG
- Temperature of 32° F to 125° F



LLSV



LLAV



Dimensions (mm)

Part #	A	B	D	L	H
LLSV	53.8	90.7	55	55.4	76
LLAV	53.8	90.7	55	37.6	92.5

Material Specification

No.	Parts	Materials
1	Packing Nut	Brass C37700
2	Packing	Teflon Polyflon PTFE M-392
3	Stem	Brass C37700
4	O Ring	Rubber (NBR) SN-919F
5	Pin	Stainless Steel 304
6	Body	Brass C85700
7	Packing	Teflon Polyflon PTFE M-392
8	Ball	Brass C37700
9	Ball Packing	Teflon Polyflon PTFE M-392
10	Bonnet	Brass C85700
11	Cover	Zinc Z30A
12	T-Handle	Zinc Z30A

Capacity

Part #	BTU / HR	PSI
LLAV-050	150	1/2
LLSV-050	350	1/2
LLAV-075	225	1/2
LLSV-075	525	1/2