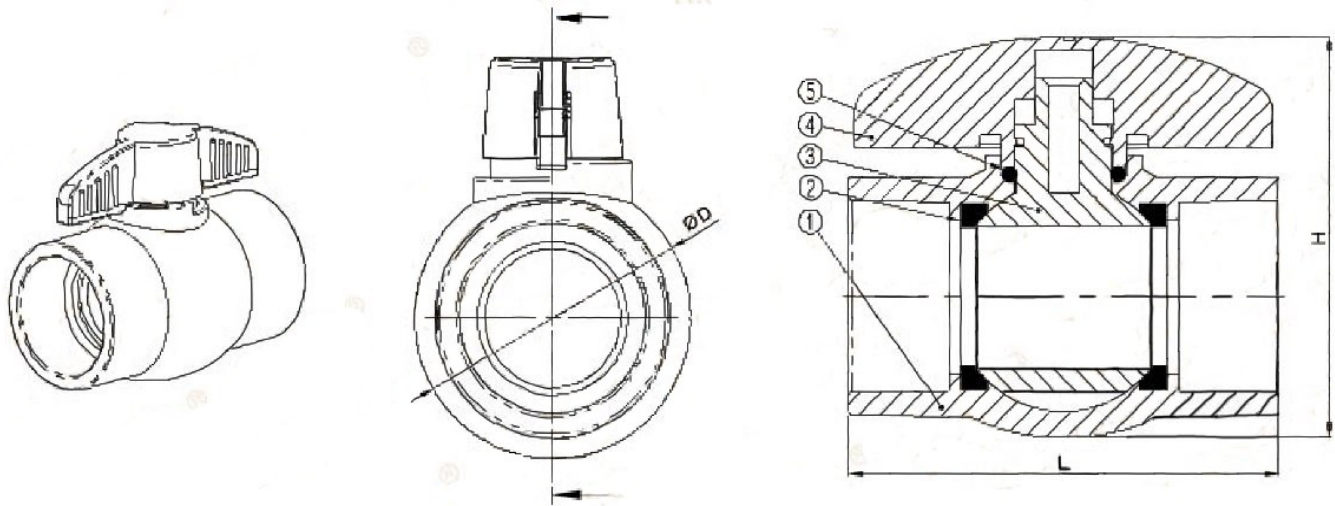


Plastic Ball Valve (PBVS)



Specifications

- Maximum water working pressure: 235 PSI

Features

- Industrial grade, maintenance free sealed unit and compact design
- EPDM or genuine Viton O-ring seals
- Full 235 PSI Pressure tested at 73°F (22°C)
- Excellent flow characteristics
- Resistant to many inorganic chemicals
- Severe shock loads are absorbed by the valve body, not the ball and seat, minimizing the chance of uneven wear and leakage

MATERIAL SPECIFICATION

No.	Parts	Materials	PCS
1	Body	PVC/CPVC	1
2	Seat	TPR/EPDM/PTFE	2
3	Ball	PVC/CPVC	1
4	Handle	PVC/CPVC	1
5	O-Ring	NBR/EPDM/Viton	1