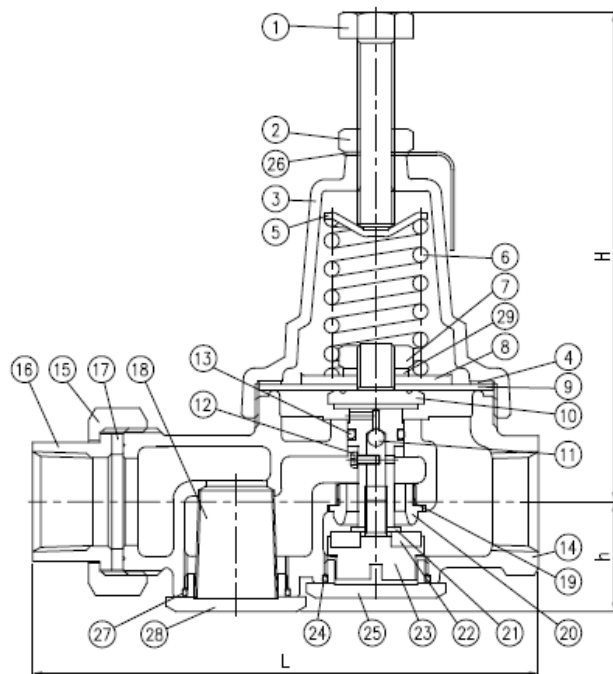
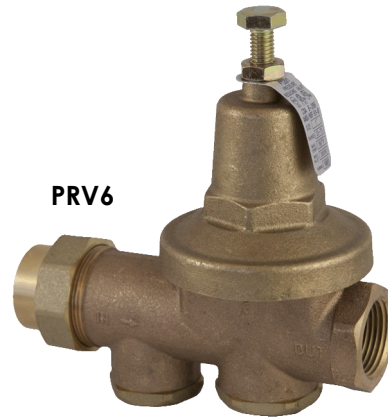


Pressure Regulating Valve (PRV6)

Features

- 1" and 3/4" sizes
- Maximum working water pressure: 300 PSI
- Maximum working water temperature: 140°F
- Reduced pressure range (standard): 25 PSI to 75 PSI
- Factory preset: 50 PSI
- Hydrostatic test pressure: 300 PSI
- IAPMO® Listed
- CSA® Certified
- NSF® Listed
- Certified to NSF/ANSI 372



Size	L	H	h
3/4"	5.08 (129)	5.12 (130)	1.14 (29)
1"	6.14 (156)	5.71 (145)	1.54 (39)

() : mm

No.	Part	Materials
1	Adjustment Bolt	ASTM A283-D / JIS SS400
2	Lock Nut	AISI-1010 / JIS S10C
3	Bonnet	PC Plastic + GF
4	Friction Ring	ASTM S/S304 JIS SUS 304
5	Spring Disc	ASTM A283-D JIS SS400
6	Spring	ASTM A227M JIS SWRH52
7	Diaphragm Nut	AISI-1010 JIS S10C
8	Diaphragm Disc	ASTM A283-D JIS SS400
9	Diaphragm	NBR + NYLON
10	Stem	ASTM B16—C36000
11	Rubber Ball	NBR
12	Rubber Ball Screw	ASTM S/S304 JIS SUS 304
13	Stem O-Ring	NBR
14	Body	ASTM B584-C84400 JIS H5120-CAC401
15	Union Nut	ASTM B584—C85700 JIS H5120—CAC203
16	Union	ASTM B124—C37700 JIS H3250—C3771B
17	Union Packing	NBR
18	Strainer	ASTM S/S304 JIS SUS 304
19	Seat O-Ring	NBR
21	Plunger Washer	ASTM S/S304 JIS SUS 304
22	Plunger Packing	NBR
23	Plunger	ASTM B16—C36000 JIS H3250-C3604B
24	Cap O-Ring	BUNA—N
25	Cap	ASTM B124—C37700 JIS H3250—C3771B
26	Name Plate	ASTM B209-1100 JIS H4000—A1100P
27	Strainer Cap O-Ring	BUNA-N
28	Strainer Cap	ASTM B124—C37700 JIS H3250—C3771B
29	Spring Washer	ASTM A227M JIS SWRH52