

Brass Stop Valve (STP)

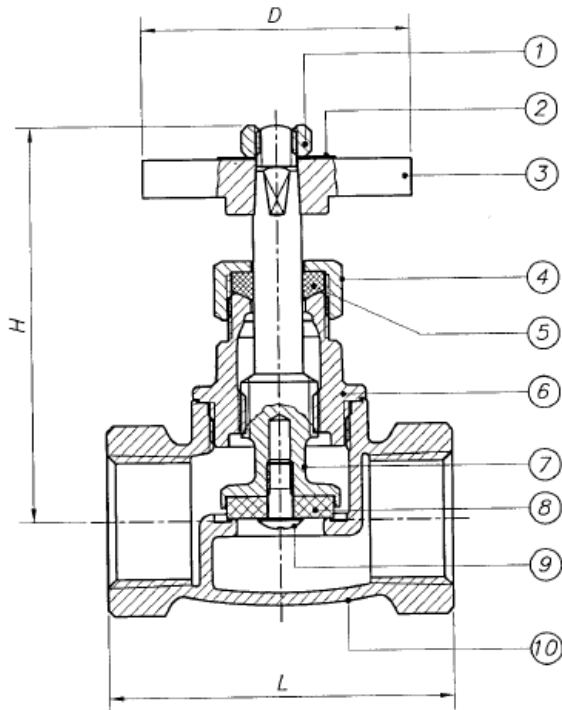
- Temperature Rating 180° F
- Pressure Rating 125 PSI WWP, Non Shock



STP

Dimensions (mm)

Size	D	H	L
1/2"	42	62	54
3/4"	42	62	56



Material Specification

No.	Parts	Materials
1	Wheel Nut	Hot Rolled SAE 1010R
2	Name Plate	Aluminum A1100
3	Cross Handle	Brass C85700
4	Packing Nut	Brass C37700
5	Gland Packing	Graphite LK 33 NAFG Teflon Polyflon PTFE M-392 Rubber (NBR) SN-919F
6	Bonnet	Brass C85700
7	Stem	Brass C85700
8	Seat Packing	Rubber (NBR) SN-919F
9	Seat Screw	Brass C26000
10	Body	Brass C85700