

Brass Straight Valve (SV)

Features

- Heavy duty brass construction
- Smooth casting quality and full sized waterways for maximum flow efficiency and minimum pressure loss
- Standard one piece rising swivel with cross or wheel handle
- Efficiently regulates water flow
- Available in sizes 1/2" - 2"

Specifications

- Maximum water working pressure: 150 PSI
- Temperature Rating 180° F
- Pressure Rating 200 WOG - 125 WSP

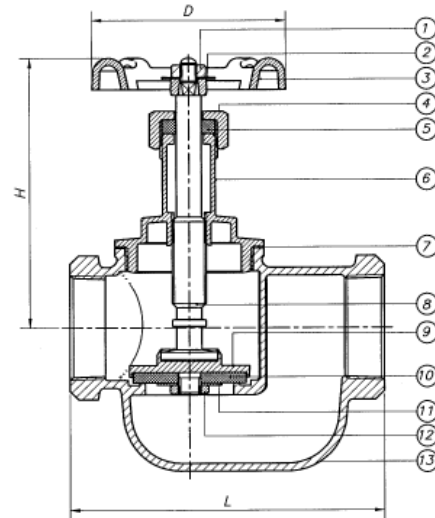
Models

- SV 1/2" - 2" straight valve
- SVW 1/2" - 2" straight valve, wheel handle



SV

SVW



Performance Chart

GPM	3/4"	1"	1-1/4"	1-1/2"	2"
5	0.5	-	-	-	-
10	1.8	-	-	-	-
20	6.8	2.6	-	-	-
30	-	3.4	1.1	-	-
40	-	5.2	2.3	-	-
50	-	-	3.5	-	-
60	-	-	-	2.3	-
70	-	-	-	-	-
80	-	-	-	4.2	-
90	-	-	-	-	-
100	-	-	-	6.2	2.0
120	-	-	-	9.0	2.9
140	-	-	-	11.9	4.2
160	-	-	-	-	5.2
180	-	-	-	-	6.5
200	-	-	-	-	8.4

No.	Parts	Materials
1	Wheel Nut	Hot Rolled SAE 1010R
2	Name Plate	Aluminum A1100
3	Hand Wheel	Bronze C84400
4	Packing Nut	Brass C85700
5	Gland Packing	Rubber SN-919F
6	Bonnet	Brass C85700
7	Packing	Fibre "H"
8	Stem	Brass C85700
9	Seat Holder	Brass C85700
10	Seat Packing	Rubber SN-919F
11	Washer	Brass C37700
12	Seat Nut	Brass C37700
13	Body	Brass C85700