

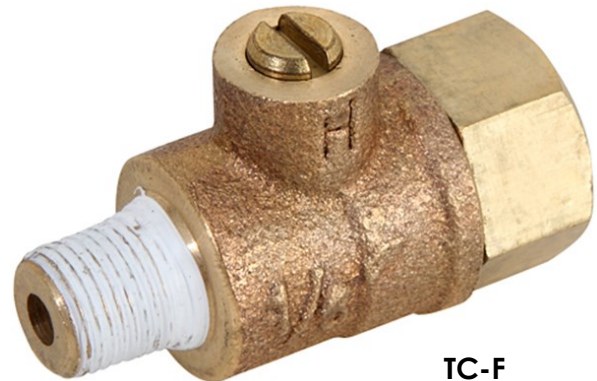
Male x Female Backflow Test Cock (TCF)

Specifications

- Temperature Rating: 180° F
- Working pressure: 600 WOG

Models

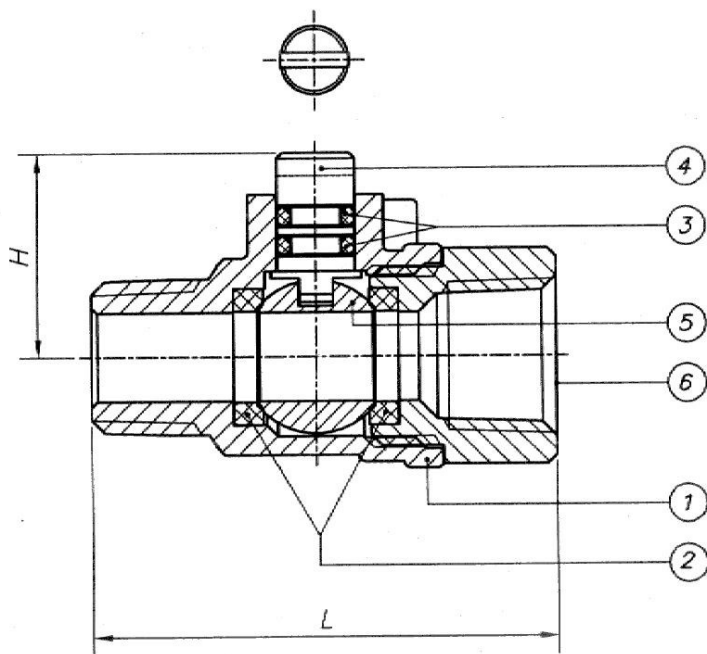
- TC-1814F 1/4" Male x 1/4" Female Backflow Test Cock
- TC-1414F 1/8" Male x 1/4" Female Backflow Test Cock
- TC-1818M 1/8" Male x 1/8" Male Backflow Test Cock
(Not Specified on this Sheet)



TC-F

Dimensions (mm)

Part #	Nominal Size	H	L
TC-1814F	1/8" MIP x 1/4" FIP	18	41
TC-1414F	1/4" MIP x 1/4" FIP	18	41



Material Specification

No.	Parts	Materials	Water Contact
1	Body	Cast Brass C46400 MOD	Yes
2	Ball Packing	Teflon Polyflon PTFE M-392	Yes
3	O Ring	Rubber (NBR) SN-719F	Yes
4	Stem	Brass Rod C46400	Yes
5	Ball	Brass Rod C46400	Yes
6	Bonnet	Brass Rod C46400	Yes